



advanced processing systems



3647 **ECDLF**



Flexographic



3647 **ECDLF**



3647 ECDLF

High Performance Engineering

The new **3647 ECDLF** has been designed to produce the highest quality digital flexo plates. The clamshell exposure system has a cooled vacuum bed complimented by a high UV power output to reduce exposure times and save costs.

A new feature of this system is the ability to change the UV power output and maximise control of the back exposure, thus producing a higher quality and more repeatable plate making process. The drier section has four drawers and utilises the new high speed and efficient tangential fan airflow technology present in all new Heights systems.

Technical Specifications

Maximum Plate Size	915 x 1200 mm (36' x 47')
Maximum Plate Thickness	up to 7mm
UVA Lamps (Main Exposure)	23
UVA Lamps (Post Exposure)	26
UVC Lamps	25
Dimensions (L x W x H)	1615 x 1942 x 1141 mm
Electrical Supply	230V 3Ph+GND 30A 50/60Hz 230/400V 3Ph+N+GND 25A 50/60Hz
Recom. Room Temp	18 to 29 deg C (64 to 84 deg F)



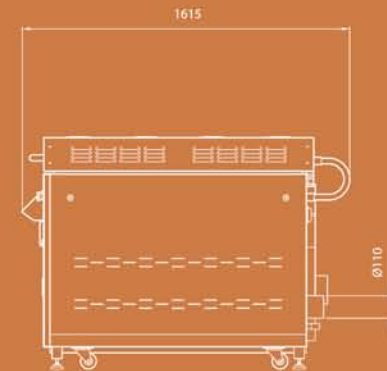
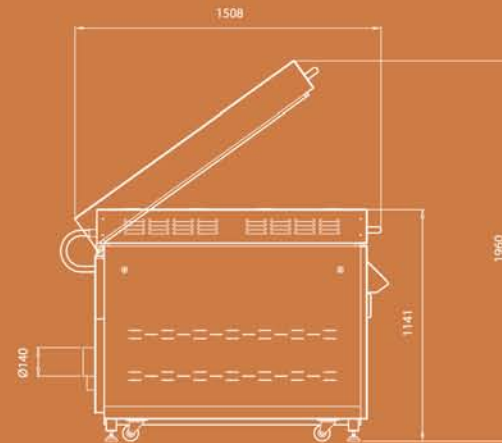
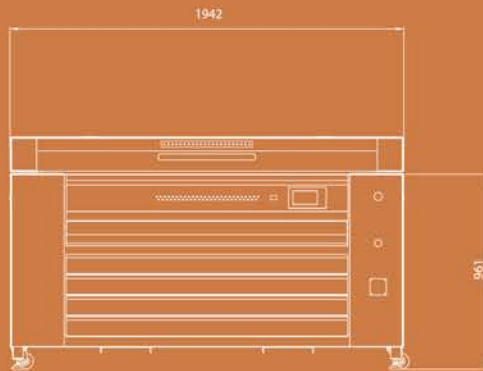
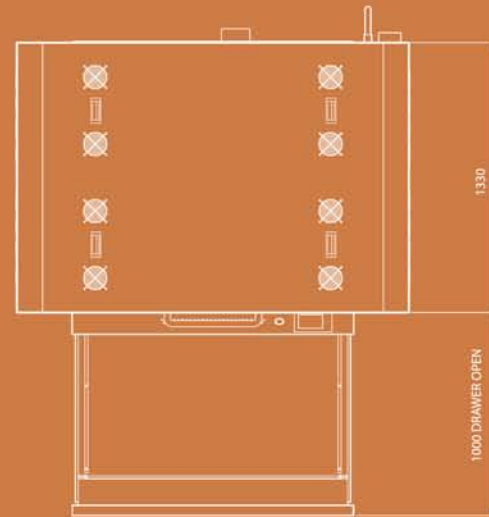
HEIGHTS

A Global Company

Features

- Variable UV Power Output
- Cooling Vacuum System
- Quad Drier Section
- High Speed Durability
- NexGen User Interface
- Robust Engineering





www.heights.com



3647 ECDLF

High Performance Engineering



Heights (UK) Ltd

Wainstalls, Halifax, West Yorkshire, England, HX2 7TJ
Tel. +44 (0)1422 240914 Fax. +44 (0)1422 240589
Email. info@heights-uk.com

Heights USA Inc.

1405 Lower Ferry Road, Trenton, New Jersey, 08628 USA
Tel. +1 (609) 530-1300 Fax. +1 (609) 530-9430
Email. info@heights-usa.com

Heights (Shanghai) Co. Ltd

809, Jin Cheng Mansion, No.511,
West Tian Mu Road, Shanghai, PRC200070
Tel. +86 21 6354 1356 fax. +86 21 6354 4890
Email. info@heights-asia.com